



HF+ 50 MHz AUTOMATIC ANTENNA TUNER

AH-4



Tune-up from HF through 50 MHz band

Tunes wide frequency coverage

Covers all amateur bands from 3.5 MHz through 50 MHz with a 7 m (23 ft) or longer wire antenna, or the optional AH-2b ANTENNA ELEMENT.

Compact yet durable

The AH-4 measures only 172(W)×71(H)×230(D) mm*, for easy installation in a variety of locations, outdoors, on a back porch or in your vehicle. Weather-resistant construction, using rubber gasket seals, enables operation in all conditions.

*6.77(W)×2.8(H)×9.06(D) in

Full automatic tuning

The AH-4 is designed for use with Icom HF transceivers.* Just push [TUNER] switch on the transceiver and the AH-4 adjusts immediately to the minimum SWR. The AH-4 automatically performs tuning operations for mode, power settings, etc. The average tune-up time is less than 2.5 sec. on each band.

*Ask about Icom HF transceivers at your nearest authorized Icom dealer.

Ample memory channels for quick tuning

Up to 45 memory channels store minimum SWR settings to provide quick re-tuning.

Mobile operation

Mobile operation is possible with the optional AH-2b ANTENNA ELEMENT. The AH-2b includes a sturdy bumper mount antenna and can hold a 2.5 m (8.2 ft) stainless steel antenna plus necessary hardware. This combination system provides 7–50 MHz band mobile operation.

Low power tune-up

The AH-4 emits only 300 mW of RF output while tuning. This eliminates the possibility of interference with other stations.

Simple installation

The installation is simple. No adjustments are necessary. Just connect the control and antenna cables.

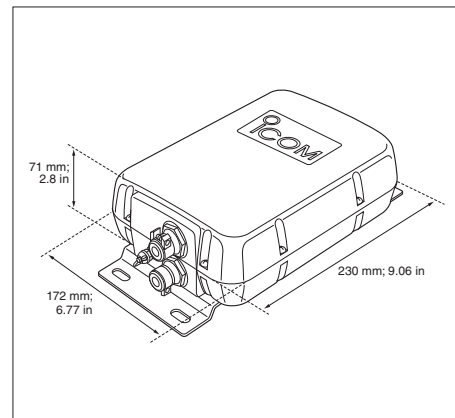
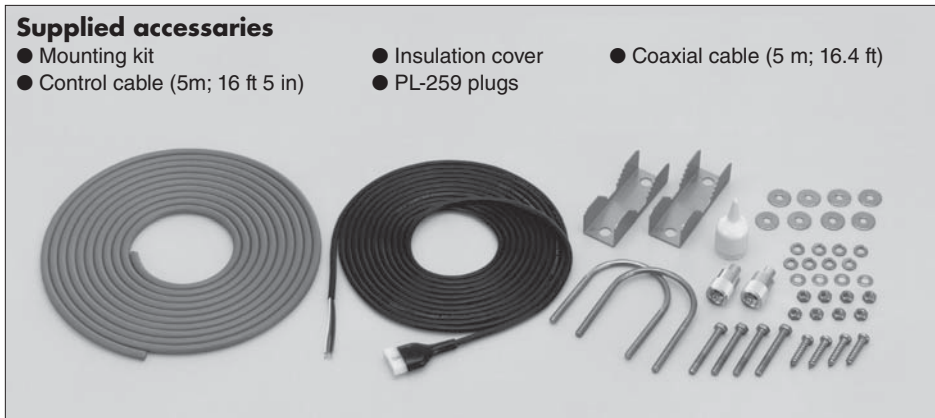
SPECIFICATIONS

- Tunable frequency range : 3.5 MHz to 54 MHz
(with a long wire antenna, 7 m; 23 ft or longer)
7 MHz to 54 MHz (with an optional AH-2b)
- Maximum input power : 120 W PEP
- Input impedance : 50 Ω
- Input power requirement for tuning:
10 W (5–15 W)
- Auto tuning time : Approx. 1 sec.
(retuning for a memorized frequency)
Approx. 2–3 sec.
(when operating band has been changed)
Max. 15 sec.
- Auto tuning accuracy : VSWR 2.0:1 or less
(except 1/2 of antenna length and its multiples)
- Power supply requirement : 13.8 V DC ±15 % (negative ground)
- Current drain : Less than 1 A
- Number of memory ch. : 45
- Usable temperature range : -10°C to +60°C; +14°F to +140°F
- Dimensions (proj. not incl.) : 172(W)×71(H)×230(D) mm
; 6.77(W)×2.8(H)×9.06(D) in
- Weight : 1.2 kg; 2.65 lb

All stated specifications are subject to change without notice or obligation.

Supplied accessories

- Mounting kit
- Control cable (5m; 16 ft 5 in)
- Insulation cover
- PL-259 plugs
- Coaxial cable (5 m; 16.4 ft)

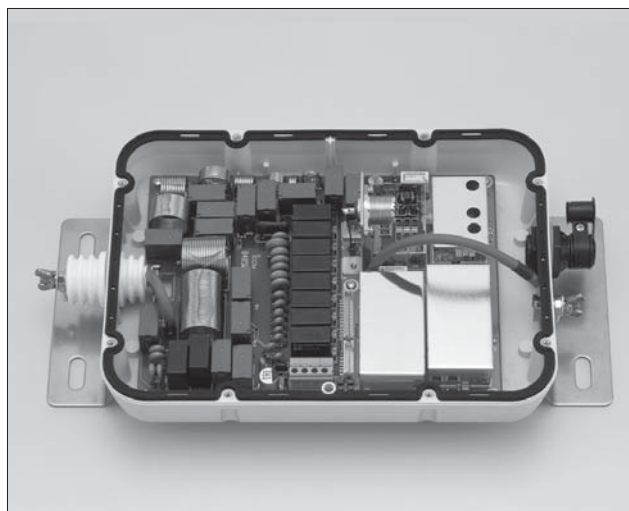


OPTION



- **AH-2b ANTENNA ELEMENT**
For mobile operation, etc. Covers 7 MHz to 54 MHz with the AH-4. Bumper mount and hardware included.
- Element length : Approx. 2.5 m; 8.2 ft
- Feedline length : Approx. 0.9 m; 3.0 ft
(between the AH-4 and AH-2b)
- Freq. coverage : 7–54 MHz bands
(with the AH-4)

INTERNAL VIEW



Icom Inc. 1-1-32, Kami-minami, Hirano-ku, Osaka 547-0003, Japan Phone: +81 (06) 6793 5302 Fax: +81 (06) 6793 0013

www.icom.co.jp/world

Count on us!

Icom America Inc.

2380 116th Avenue NE,
Bellevue, WA 98004, U.S.A.
Phone : +1 (425) 454-8155
Fax : +1 (425) 454-1509
E-mail : sales@icomamerica.com
URL : <http://www.icomamerica.com>

Icom Canada

Glenwood Centre #150-6165 Highway 17,
Delta, B.C., V4K 5B8, Canada
Phone : +1 (604) 952-4266
Fax : +1 (604) 952-0090
E-mail : info@icomcanada.com
URL : <http://www.icomcanada.com>

Icom Brazil

Rua Itororó, 444 Padre Eustáquio
Belo Horizonte MG,
CEP: 30130-150, Brazil
Phone : +55 (31) 3582 8947
Fax : +55 (31) 3582 8987
E-mail : sales@icombrasil.com

Icom (Europe) GmbH

Communication Equipment
Auf der Krautweide 24
65812 Bad Soden am Taunus, Germany
Phone : +49 (6196) 76685-0
Fax : +49 (6196) 76685-50
E-mail : info@icom-europe.com
URL : <http://www.icomeurope.com>

Icom Spain S.L.

Ctra. Rubi, No. 88 "Edificio Can Castanyer"
Bajos A 08174, Sant Cugat del Valles,
Barcelona, Spain
Phone : +34 (93) 590 26 70
Fax : +34 (93) 589 04 46
E-mail : icom@icomspain.com
URL : <http://www.icomspain.com>

Icom Polska Sp. Z o.o.

80-286 Gdansk, Jaskowa Dolina St. 75, Poland
Phone : +48 (58) 551 0484
Fax : +48 (58) 551 4720
E-mail : icompolska@icompolska.com.pl
URL : <http://www.icompolska.com.pl>

Icom (UK) Ltd.

Blacksole House, Altira Park,
Herne Bay, Kent, CT6 6GZ, U.K.
Phone : +44 (0) 1227 741741
Fax : +44 (0) 1227 741742
E-mail : info@icomuk.co.uk
URL : <http://www.icomuk.co.uk>

Icom France s.a.s.

Zac de la Plaine,
1 Rue Brindejonc des Moulinais, BP 45804,
31505 Toulouse Cedex 5, France
Phone : +33 (5) 61 36 03 03
Fax : +33 (5) 61 36 03 00
E-mail : icom@icom-france.com
URL : <http://www.icom-france.com>

Icom (Australia) Pty. Ltd.

Unit 1 / 103 Garden Road,
Clayton, VIC 3168 Australia
Phone : +61 (03) 9549 7500
Fax : +61 (03) 9549 7505
E-mail : sales@icom.net.au
URL : <http://www.icom.net.au>

Icom New Zealand

146A Harris Road, East Tamaki,
Auckland, New Zealand
Phone : +64 (09) 274 4062
Fax : +64 (09) 274 4708
E-mail : inquiries@icom.co.nz
URL : <http://www.icom.co.nz>

Asia Icom Inc.

6F No. 68, Sec. 1 Cheng-Teh Road,
Taipei, Taiwan, R.O.C.
Phone : +886 (02) 2559 1899
Fax : +886 (02) 2559 1874
E-mail : sales@asia-icom.com
URL : <http://www.asia-icom.com>

Shanghai Icom Ltd.

No.101, Building 9, Caifuxingyuan Park,
No.188 Maoting Road, Chedun Town,
Songjiang District, Shanghai, 201611, China
Phone : +86 (021) 6153 2768
Fax : +86 (021) 5765 9987
E-mail : bjicom@bjicom.com
URL : <http://www.bjicom.com>

Your local distributor/dealer: